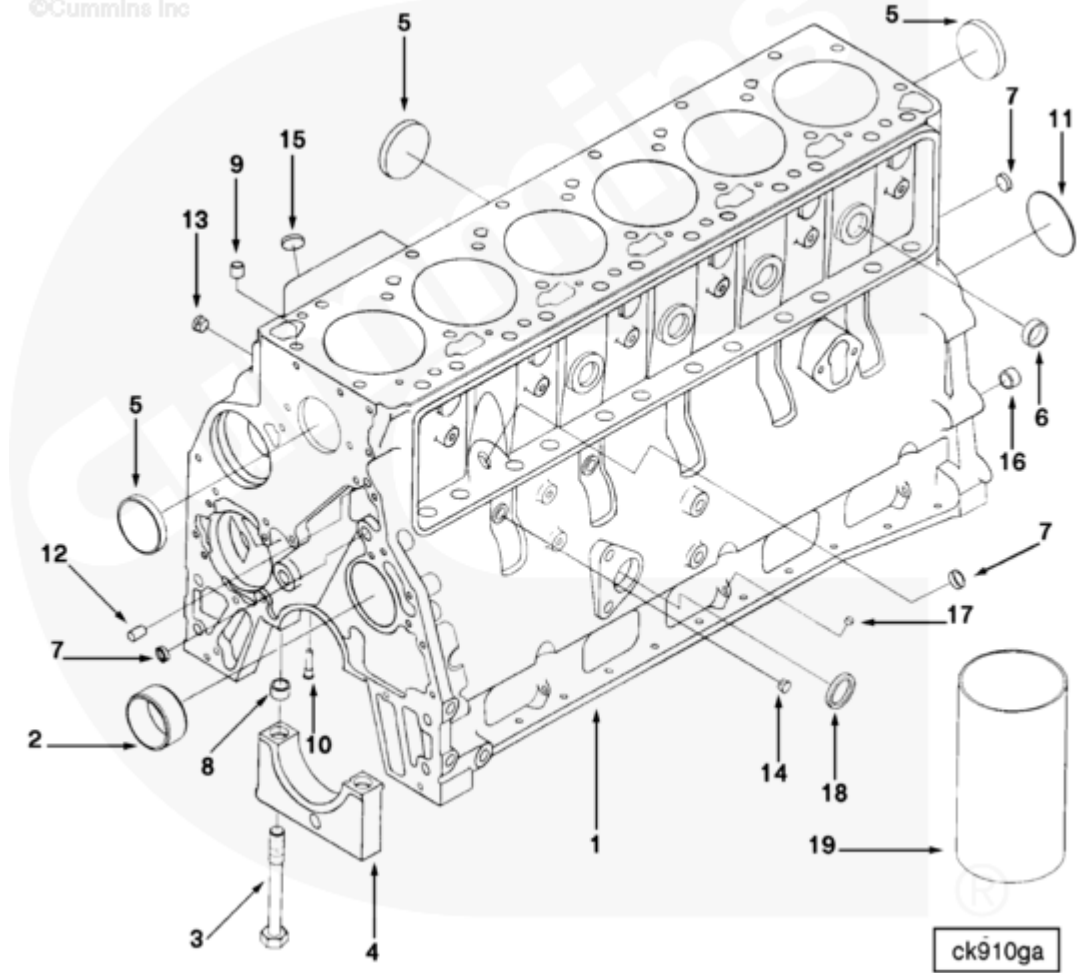




# Parts Catalog - Option Detail

Electronic Parts Catalog - Option Detail				
Option	Group	Graphic	Film Card	Date
BP9789-02	01.01	ck910ga	T	14-APR-96
<b>Engines</b>	4B3.9, 6A3.4, 6B5.9, B GAS INTERNATIONAL CM556, B4.5, B4.5 CM2350 B129B, B4.5 CM2350 B146C, B4.5 CM2350 B147B, B4.5 RGT, B4.5S, B5.9 G, B5.9 GAS PLUS CM556, B5.9 LPG, B5.9 LPG PLUS CM556, B6.7 CM2350 B121B, B6.7 CM2350 B135B, B6.7 CM2350 B136C, B6.7 CM2350 B148B, B6.7 G CMOH6.0 B125, B6.7N CM2380 B150B, B6.7S, F3.8 CM2350 F120B, F3.8 CM2350 F128C, F3.8 CM2350 F132B, F3.8 F102, G3.9, G5.9, G5.9 CM558, ISB (CHRYSLER), ISB CM2150, ISB CM2150 E, ISB CM550, ISB CM850, ISB/ISD4.5 CM2150 B119, ISB/ISD4.5 CM2150 SN, ISB/ISD6.7 CM2150 B120, ISB/ISD6.7 CM2150 SN, ISB/ISD6.7 CM2880 B126, ISB3.9 CM2220 B107, ISB4.5 CM2150, ISB5.9G CM2180, ISB6.7 2010 DCX PICKUP, ISB6.7 2013 DCX CHASSIS CAB, ISB6.7 CM2150 SQ, ISB6.7 CM2250, ISB6.7 CM2350 B101, ISB6.7 CM2350 B103, ISB6.7 CM2350 B142, ISB6.7 CM2670 B153B, ISB6.7 G CM2180 B118, ISBE CM2150, ISBE CM800, ISBE2/ISBE3 CM850, ISBE4 CM850, ISD4.5 CM2150, ISD6.7 CM2880 D101, ISF2.8 CM2220, ISF2.8 CM2220 AN, ISF2.8 CM2220 EC, ISF2.8 CM2220 ECF2, ISF2.8 CM2220 F101, ISF2.8 CM2220 F117, ISF2.8 CM2220 F122, ISF2.8 CM2220 F126, ISF2.8 CM2220 F129, ISF2.8 CM2220 IAN, ISF3.8 CM2220, ISF3.8 CM2220 AN, ISF3.8 CM2220 F103, ISF3.8 CM2220 F110, ISF3.8 CM2220 F116, ISF3.8 CM2220 F134B, ISF3.8 CM2220 IAN, ISF3.8 CM2350 F109, ISF4.5 CM2220 F123, ISG11 CM2880 G106, ISG11 CM2880 G108, ISG12 CM2880 G107, ISG12 CM2880 G109, ISG12 G CMOH6.0 G111, QSB3.9 30 CM550, QSB3.9 CM2880 B138, QSB4.5 30 CM550, QSB4.5 CM2150 B108, QSB4.5 CM2250 B131, QSB4.5 CM2250 EC, QSB4.5 CM2350 B106, QSB4.5 CM2350 B122			



Cart	Ref No	Part Number	Part Description	Required	Remarks
<a href="#">View My Cart</a>					
		<a href="#">BP9789-02</a>	Cylinder Block		<a href="#">Cylinder Block...(More)</a>
					Engine: B Series
					Cylinders: 6
					Aspiration: Jacket Water
					Aftercooled
					Turbo Exh. Outlet Location:
					LMFO
					LMRO
					Rear Mount
					Turbo Drain Orientation:
					10:00
					Expansion plug 3007635 may be
					used in Brazil applications
					in place of 3914035. Cylinder
					block 3903797 may be
					substituted for Cylinder
					Block 3916255.
<input type="checkbox"/>		<a href="#">3928798</a>	Cylinder Block	1	
<input type="checkbox"/>	1	<a href="#">3928788</a>	Cylinder Block	1	
<input type="checkbox"/>	2	<a href="#">3901306</a>	Bushing	1	
<input type="checkbox"/>	3	<a href="#">3904217</a>	Hexagon Head Cap Screw	14	M14 x 2.00 x 119
	4	<a href="#">3900967</a>	Main Bearing Cap	7	
	5	<a href="#">3812090</a>	Expansion Plug	6	
<input type="checkbox"/>	6	<a href="#">3914035</a>	Expansion Plug	4	
<input type="checkbox"/>	7	<a href="#">3900965</a>	Expansion Plug	3	
<input type="checkbox"/>	8	<a href="#">3900068</a>	Ring Dowel	14	M18 X 10
<input type="checkbox"/>	15	<a href="#">3920706</a>	Expansion Plug	1	

					engines
<input type="checkbox"/>		3802641	Cylinder Block Hardware Kit	1	
<input type="checkbox"/>	9	3902343	Ring Dowel	2	M16 x 10
<input type="checkbox"/>	10	3930139	Piston Cooling Nozzle	6	
<input type="checkbox"/>	11	3900687	Expansion Plug	1	
<input type="checkbox"/>	12	3900257	Pin Dowel	2	M10 X 16
<input type="checkbox"/>	13	3008468	Pipe Plug	1	1/2 NPT.
<input type="checkbox"/>	14	3906619	Pipe Plug	2	1/8 NPT.
<input type="checkbox"/>	15	3920706	Expansion Plug	1	
					engines
<input type="checkbox"/>	16	3900068	Ring Dowel	2	M18 X 10
<input type="checkbox"/>	17	3900955	Expansion Plug	2	Structured in LG option
<input type="checkbox"/>	18	3900958	Expansion Plug	1	Structured in OB option; Not
					used with side oil fill.
<input type="checkbox"/>		3926047	O-Ring Seal	1	
<input type="checkbox"/>	2	3904369	Bushing	A/R	Oversize bushing for No. 1
					bore
<input type="checkbox"/>	2	3903242	Bushing	A/R	Oversize bushing for No. 2-5
					bore
	4	3900967	Main Bearing Cap	7	
<input type="checkbox"/>	19	3904166	Salvage Sleeve	A/R	Standard Bore. Use as
					required.